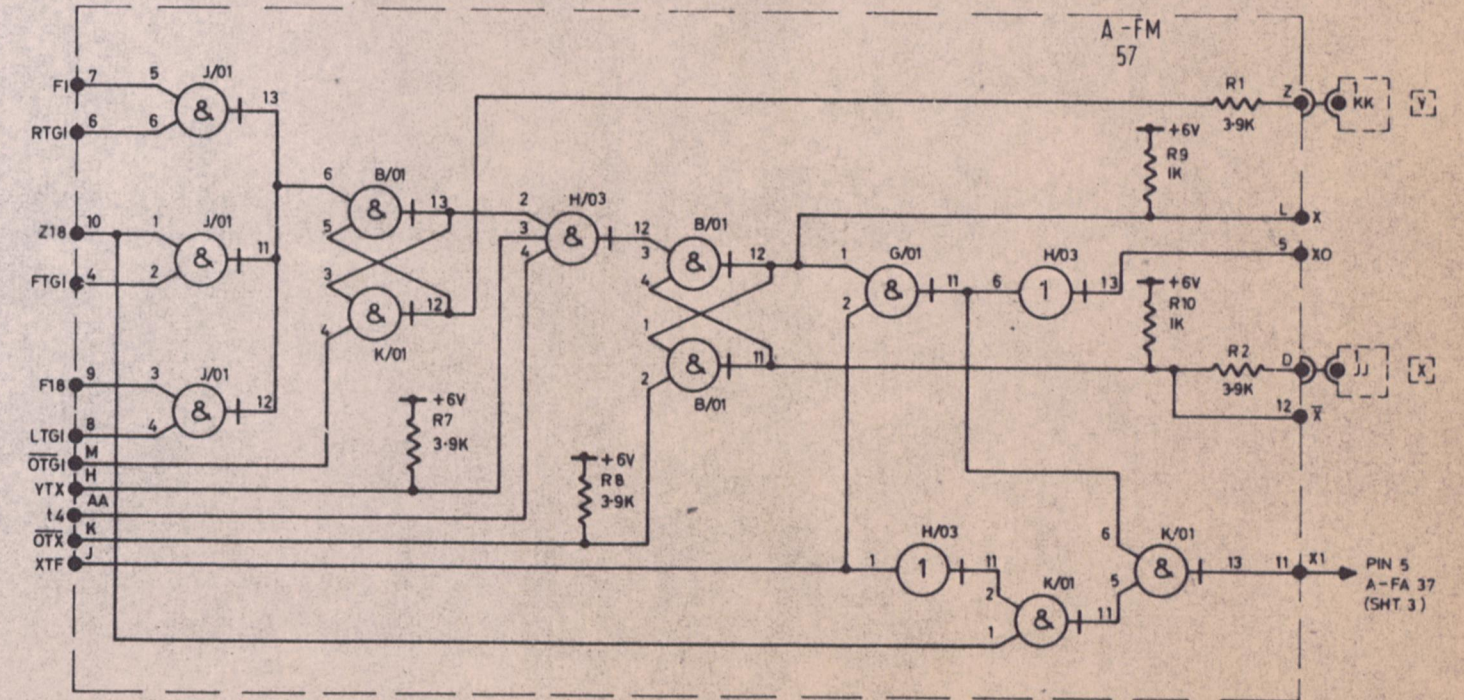
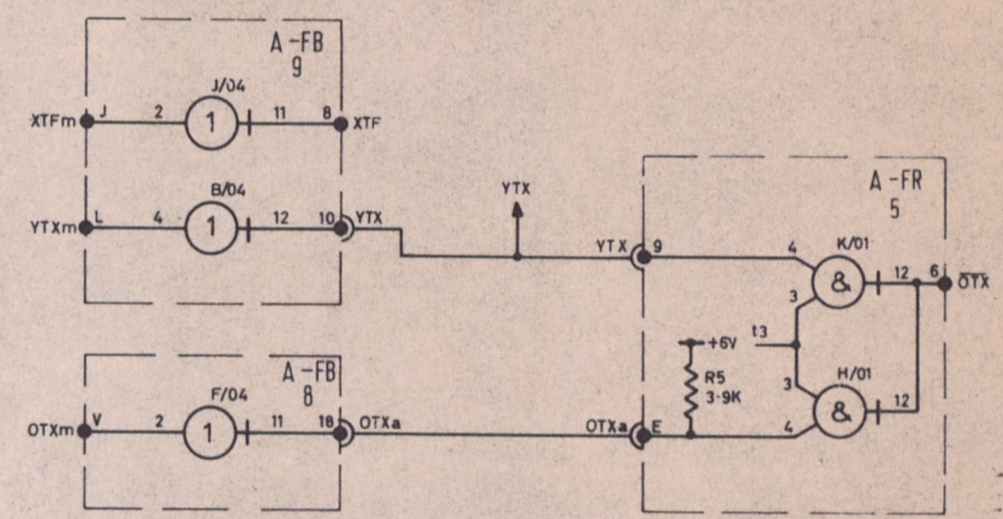
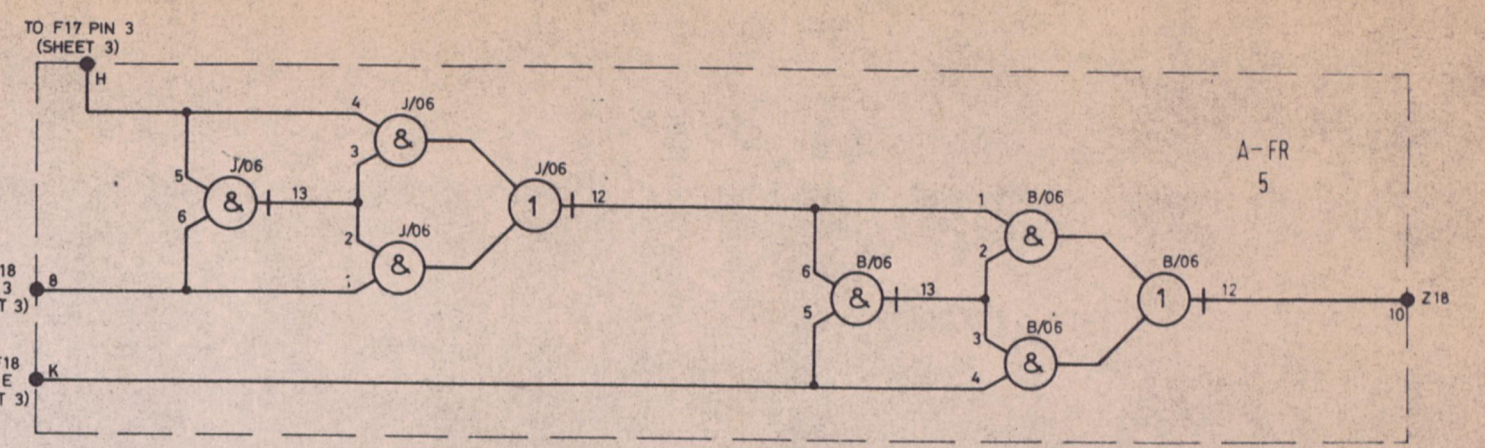
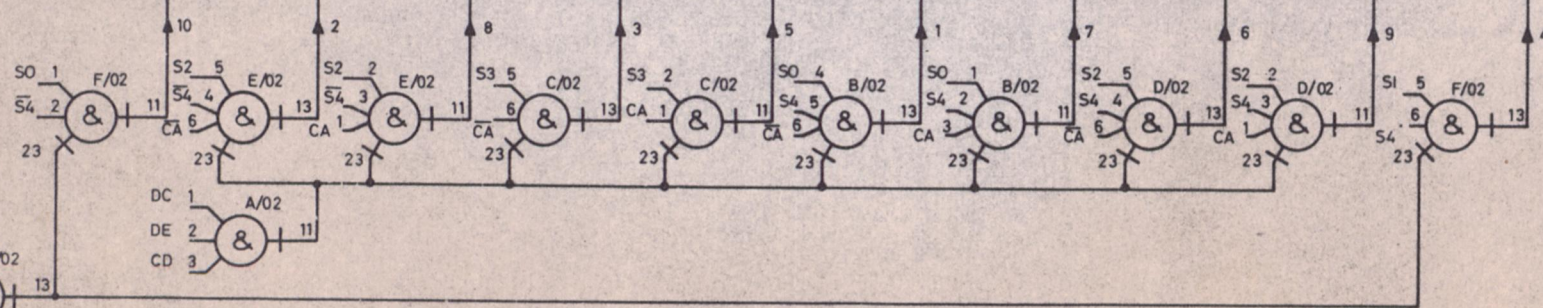
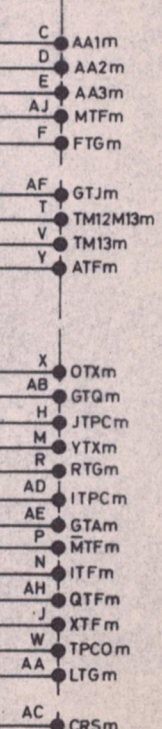
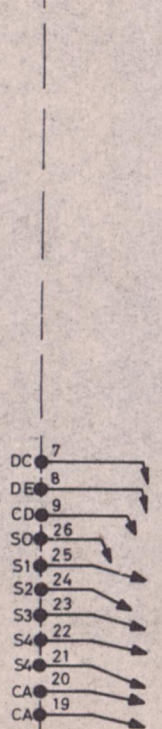
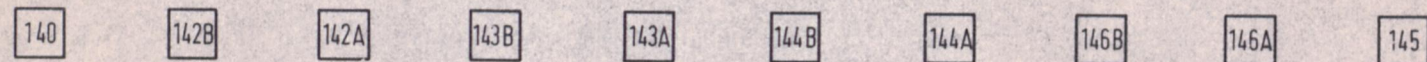
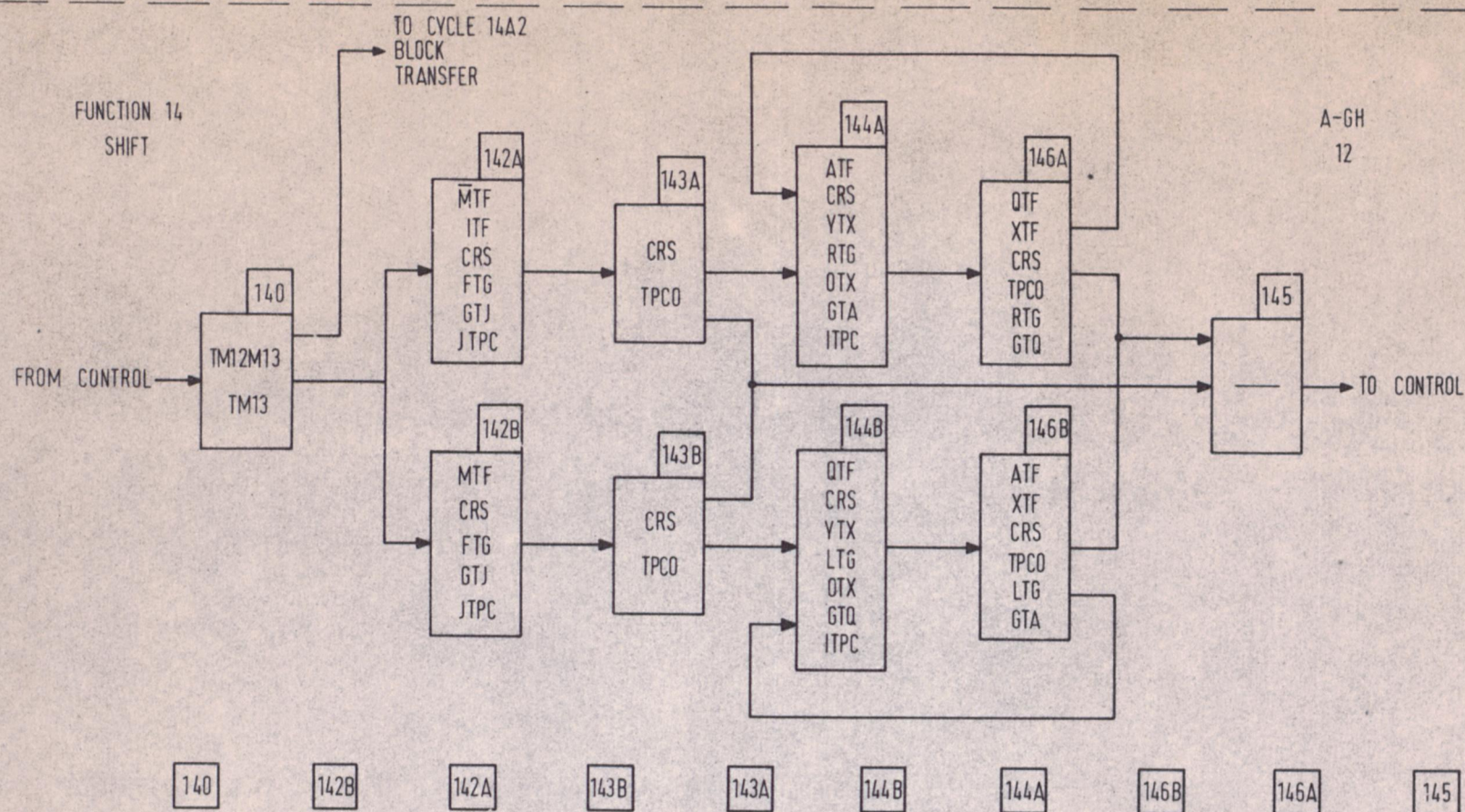


USED ON A 7201



OVERFLOW

920B COMPUTER  
MULTIPLY/DIVIDE SHIFT  
AND OVERFLOW LOGIC

SHEET 2

A10

TO BE READ IN CONJUNCTION WITH 322 A 7191

LATEST MI INCORPORATED: MI 2884 2838

ISSUE No.	1	MATERIAL		FINISH		ELLIOTT BROTHERS (LONDON) LTD
ALT. No.	1681					
DATE	27-10-66					
INITIALS	MPC					
PARTS LIST No.						
DRAWN R. P. Cabo		CHECKED E. C. B. B. B.		APPROVED S. J. S.		DATE 11-11-66
<small>Elliott Brothers (London) Limited THIS DRAWING IS THE PROPERTY OF ELLIOTT BROTHERS (LONDON) LIMITED AND MAY NOT BE REPRODUCED OR DISCLOSED IN ANY MANNER WITHOUT THE AUTHORIZATION IN WRITING BY ELLIOTT BROTHERS (LONDON) LIMITED.</small>				<small>TOLERANCES DECIMAL FRACTIONAL ANGULAR DIMENSIONS UNLESS OTHERWISE STATED</small>		<small>TITLE 920B COMPUTER MULTIPLY/DIVIDE SHIFT AND OVERFLOW LOGIC</small>
						<small>SCALE SHEET 2 DRAWING No. 322 D 7973</small>